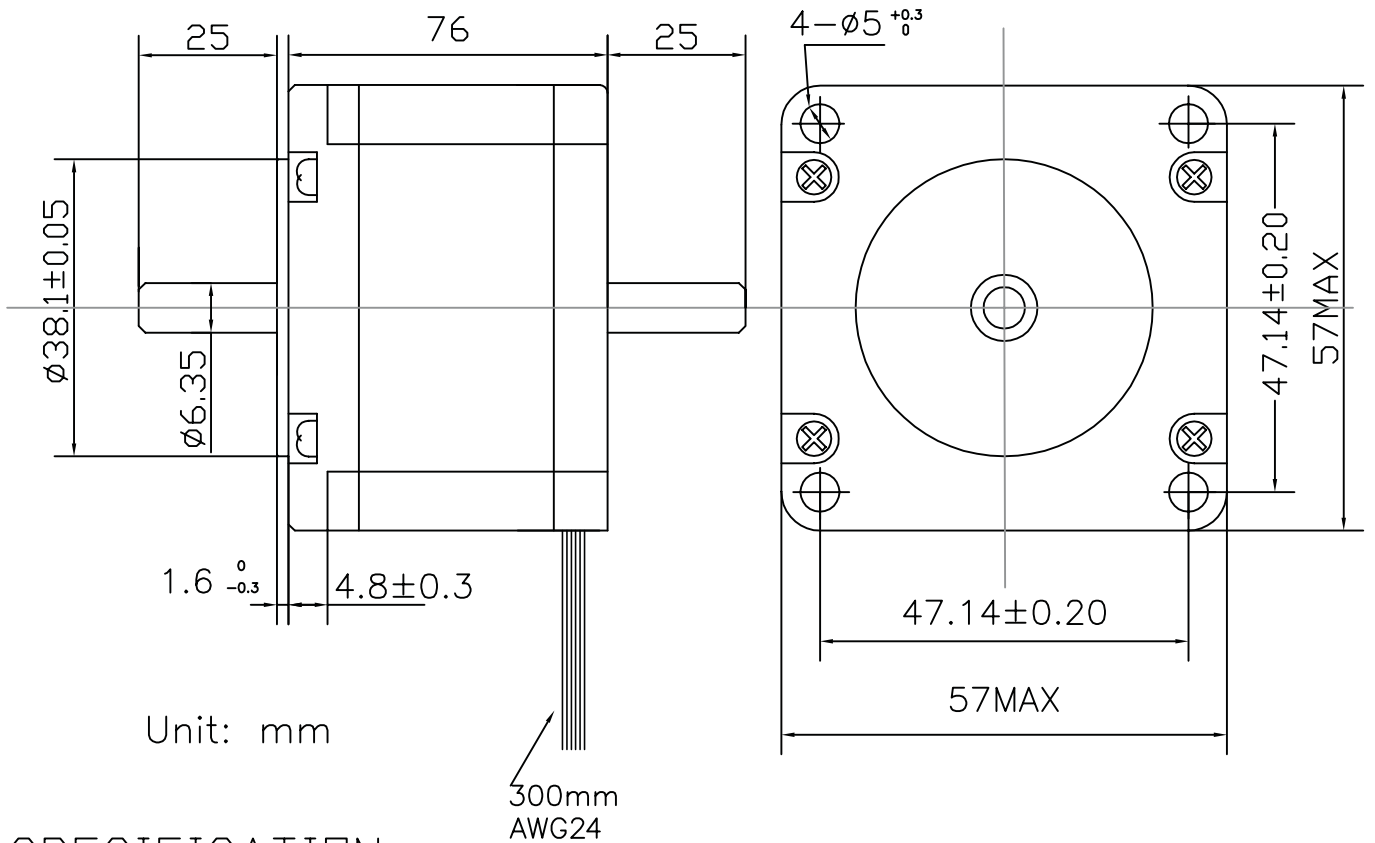


HYBRID STEPPING MOTOR

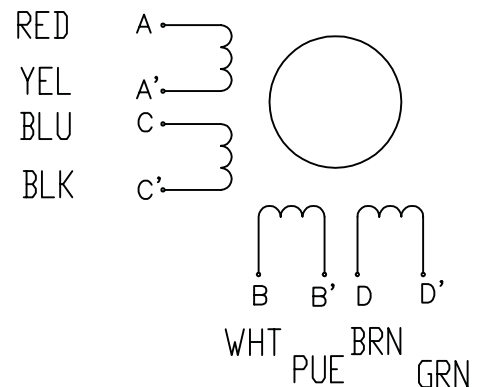
MODEL: AC570764525I



SPECIFICATION

| | |
|------------------|----------------------|
| STEP ANGLE | 1.8Deg |
| VOLTAGE | 4.5 V |
| CURRENT | 2.5A/PHASE |
| RESISTANCE | 2 Ω M/PHASE |
| INDUCTANCE | 3.6 mH/PHASE |
| HOLDING TORQUE | 180N.cm |
| MOTOR LENGTH | 76mm |
| ROTOR INERTIA | 440g.cm ² |
| MOTOR WEIGHT | 1.1KG |
| INSULATION CLASS | B |

WIRING DIAGRAM



| | |
|--------|--|
| DESIGN | |
| CHECK | |

Arc Euro Trade

Motor connections for Arc Euro Trade Stepper Motors

| | |
|----------------------|--------------------------------|
| AC420484610: | 36Ncm, 1A/Phase, 6mm Shaft |
| AC570764525M: | 180Ncm, 2.5A/Phase, 6mm Shaft |
| AC570764525I: | 180Ncm, 2.5A/Phase, ¼" Shaft |
| AC571157525M: | 220Ncm, 2.5A/Phase, 10mm Shaft |

For BIPOLAR SERIES:

Join YELLOW A to BLUE C and insulate connection
Join PURPLE B to BROWN D and insulate connection
Winding One then equals RED and BLACK
Winding Two then equals WHITE and GREEN

For BIPOLAR PARALLEL:

Join RED to BLUE
Join YELLOW to BLACK. This is then Winding One.
Join WHITE to BROWN
Join PURPLE to GREEN. This is then Winding Two.

For UNIPOLAR FOUR PHASE:

Use RED, BLACK, WHITE and GREEN as the PHASE wires.
Join YELLOW to BLUE, and PURPLE to BROWN; these then become the POWER connections.
The phase sequence is RED, GREEN, BLACK WHITE (or WHITE, BLACK, GREEN, RED for reverse).

The Arc Euro Trade **SMD093064** controller will drive our **AC420484610**, **AC570764525M**, **AC570764525I** and **AC571157525M** motors at their rated power if set up correctly and connected to a **smoothed DC power supply rated at 2x the current setting used on the controller.**

We regret we are unable to advise you on the suitability of these motors for any application.